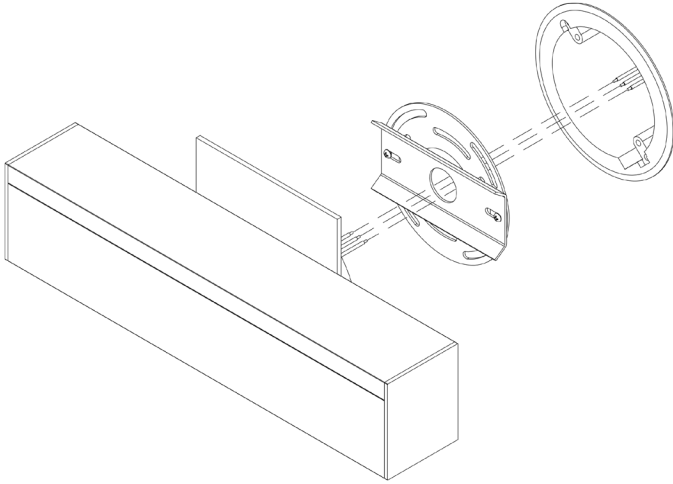
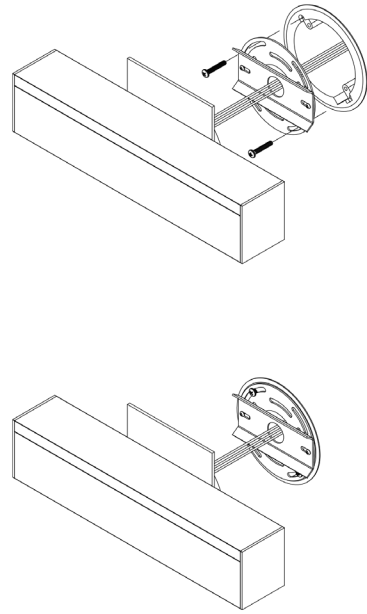


1



Connect the wire to power supply.

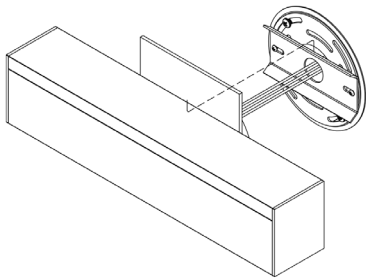
2



Mount the crossbar to the junction box.

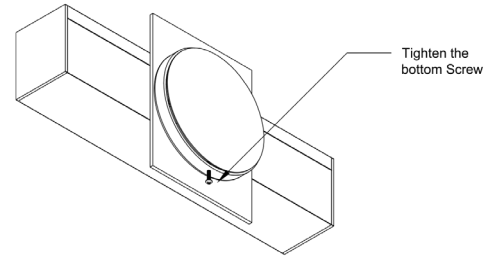


3



Mount the fixture to the crossbar.

4



Tighten the bottom screw to secure the fixture.

